

## ADAPTOR BACKING FLANGES

Adaptor backing flanges are used to couple a glass end to the flange having different bolt configuration. These flanges are made of cast iron and are supplied with inserts.

These are particularly used to fit a glass equipment on a non-glass equipment like Glass-lined Reactor etc.

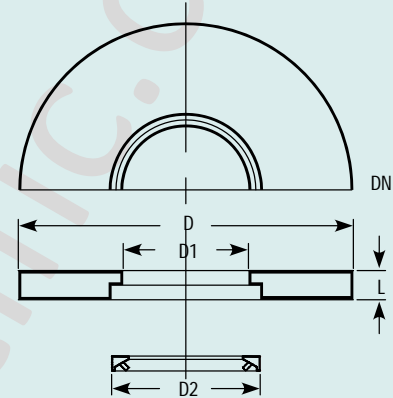
Adaptor backing flanges are generally supplied undrilled. However, if specified, these can be supplied drilled as per "Table E", "Table F" and "ASA150" standards.

### Drilled to Table E

Cat.Ref.	PCD	n x dØ
CFA1/E	82	4 x 12Ø
CFA1.5/E	98	4 x 12Ø
CFA2/E	114	4 x 16Ø
CFA3/E	146	4 x 16Ø
CFA4/E	178	8 x 16Ø
CFA6/E	235	8 x 19Ø
CFA9/E	324	12 x 19Ø
CFA12/E	406	12 x 23Ø

### Undrilling flanges

Cat.Ref.	DN	D	D1	D2	L
CFA1	25	115	43	51	10
CFA1.5	40	150	58	66	10
CFA2	50	165	70	81	12
CFA3	80	200	101	112	12
CFA4	100	220	134	148	12
CFA6	150	285	186	196	15
CFA9	225	395	260	282	15
CFA12	300	445	342	363	18



### Drilled to ASA 150

Cat.Ref.	PCD	n x dØ
CFA1/A	79	4 x 12Ø
CFA1.5/A	98	4 x 12Ø
CFA2/A	121	4 x 16Ø
CFA3/A	152	4 x 16Ø
CFA4/A	190	8 x 16Ø
CFA6/A	241	8 x 19Ø
CFA9/A	298	8 x 19Ø
CFA12/A	432	12 x 23Ø

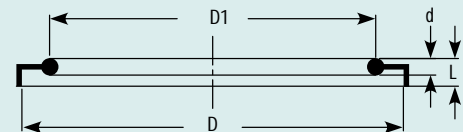
### Drilled to Table F

Cat.Ref.	PCD	n x dØ
CFA1/F	87	4 x 16Ø
CFA1.5/F	105	4 x 16Ø
CFA2/F	127	4 x 16Ø
CFA3/F	165	8 x 16Ø
CFA4/F	190	8 x 16Ø
CFA6/F	260	12 x 19Ø
CFA9/F	356	12 x 23Ø
CFA12/F	438	16 x 23Ø

## PTFE "O" RING WITH LOCKING COLLAR

These PTFE O rings are specially made to use as gaskets in glass fittings. These are provided with a collar which helps to locate it on the glass end correctly.

Cat.Ref.	DN	D	D1	d	L
TR1*	25	42	33	3	5
TR1.5*	40	57	48	3	5
TR2*	50	70	59	3	5
TR3*	80	100	88	3	5
TR4*	100	134	119	4	6
TR6*	150	186	168	4	6
TR9*	225	260	236	4	7
TR12*	300	342	318	4	7
TR16	400	467	435	6	7
TR18*	450	527	490	6	7
TR24	600	686	640	8	10
TR32	800	910	885	10	12



## PTFE BELLOWS - GLASS TO GLASS

These bellows are used in installation of glass equipment for following purposes :

- to provide safe branching of pipelines from the main glass equipment.
- to accommodate odd degrees and variation in length.

Bellows are supplied alongwith required bellow flanges and nut-bolts.

Distance - locking bolts are provided to avoid excessive compression or contraction of the bellow. Gaskets are not required where bellows are used. For drilling details, refer "Bellow flanges"

### Line bellows

These can withstand a temperature of 200°C under normal atmospheric conditions.

