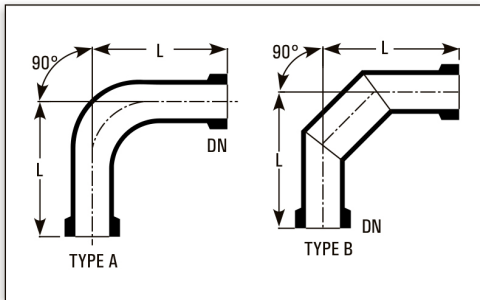


# PIPELINE COMPONENTS

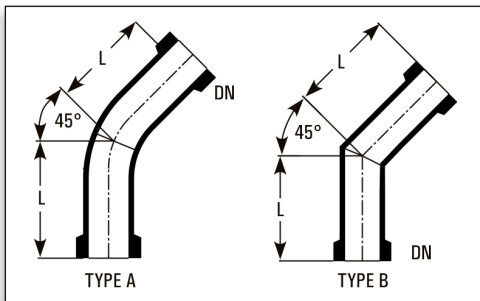
## BENDS 90°



Cat.Ref.	DN	L	TYPE
PB0.5/90	12	50	A
PB0.7/90	15	50	A
PB1/90*	25	100	A
PB1.5/90*	40	150	A
PB2/90*	50	150	A
PB3/90*	80	200	B
PB4/90*	100	250	B
PB6/90*	150	250	B
PB9/90*	225	375	B
PB12/90*	300	450	B

Bends in 80 and 100 degree are also available with same dimensions.  
Bends DN 400/DN 450/DN 600 are available on request.

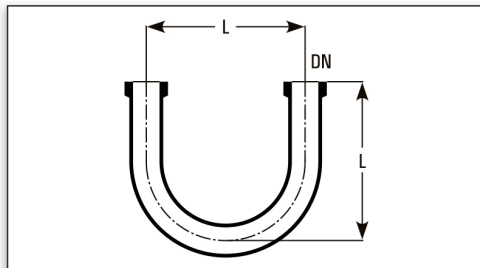
## BENDS 45°



Cat.Ref.	DN	L	TYPE
PB0.5/45	12	50	A
PB0.7/45	15	50	A
PB1/45*	25	75	A
PB1.5/45	40	100	A
PB2/45	50	100	A
PB3/45	80	125	B
PB4/45*	100	175	B
PB6/45	150	250	B
PB9/45	225	375	B

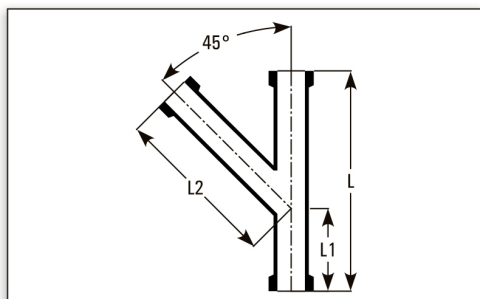
Bends in 10 and 30 degree are also available with same dimensions.

## U BENDS



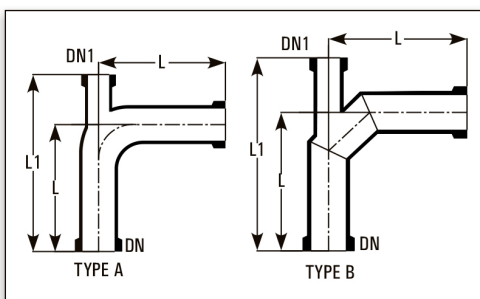
Cat.Ref.	DN	L
PU0.5	12	75
PU0.7	15	75
PU1*	25	150
PU1.5*	40	175
PU2	50	175
PU3	80	225

## Y BENDS



Cat.Ref.	DN	L	L1	L2
PY0.5	12	125	50	80
PY0.7	15	125	50	80
PY1	25	200	75	150
PY1.5	40	250	100	175
PY2	50	300	125	200
PY3	80	350	150	250
PY4	100	450	150	350

## BENDS 90° WITH THERMOMETER BRANCH



Cat.Ref.	DN	DN1	L	L1	TYPE
PBT1.5	40	25	150	225	A
PBT2	50	25	150	225	A
PBT3*	80	25	200	275	B
PBT4*	100	25	250	325	B
PBT6*	150	25	250	325	B
PBT9*	225	25	375	490	B
PBT12*	300	25	450	560	B

\* marked items are available fast.

# PIPELINE COMPONENTS

## U BENDS WITH BOTTOM OUTLET

Cat.Ref.	DN	DN1	L	L1
PUO0.5	12	12	150	100
PUO1/0.5	25	12	250	150
PUO0.7	15	15	150	100
PUO1/0.7	25	15	250	150
PUO1*	25	25	250	150
PUO1.5*	40	40	275	175
PUO1.5/1*	40	25	275	175
PUO2	50	50	275	175
PUO2/1*	50	25	275	175
PUO3/1	80	25	350	225

